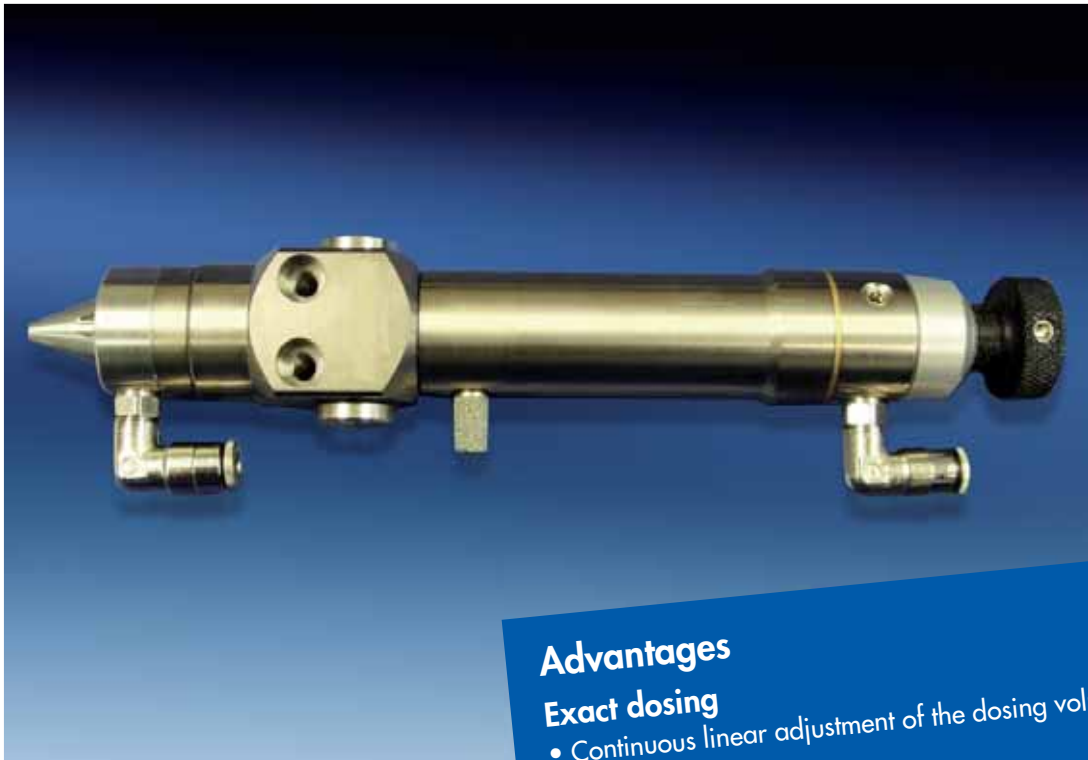




VDO3 volume dosing valve

The WERUCON® VDO3 volume dosing valve is characterized by precision dosing of different media. Portioning and contact greasing are possible as well as contact-free application or even shooting over several meters.



Variety of applications

The options for use of the volume dosing valve are many: Wherever the precision dosing of media is required, this valve ensures exact, reproducible dosing processes.

Regardless of whether you need point greasing before assembly or contact-free application by „shooting“ over a distance of up to several meters.

A precision rotary head allows the desired dosing volume to be set precisely.

The innovative construction of the corresponding valve variants is designed for the specific requirements of solid lubricants.

Advantages

Exact dosing

- Continuous linear adjustment of the dosing volume

Contact-free application

- On-target „shooting“ up to several meters

Flexible use

- Coaxial dosing head with spray air connection
- Adapter for application nozzles

Reproducibility

- Exact reproduction of the dosing quantity

High process reliability

- Position monitoring of the dosing stroke using cylinder switches

Suitable for solid lubricants

- Variants for the requirements of solid lubricants
- Low inlet pressure prevents lubricant separation

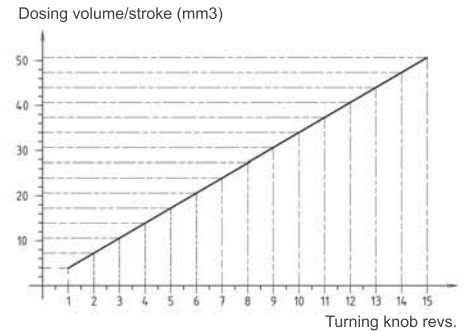
We have the technology for your lubricant

VDO3 volume dosing valve

Functional principle

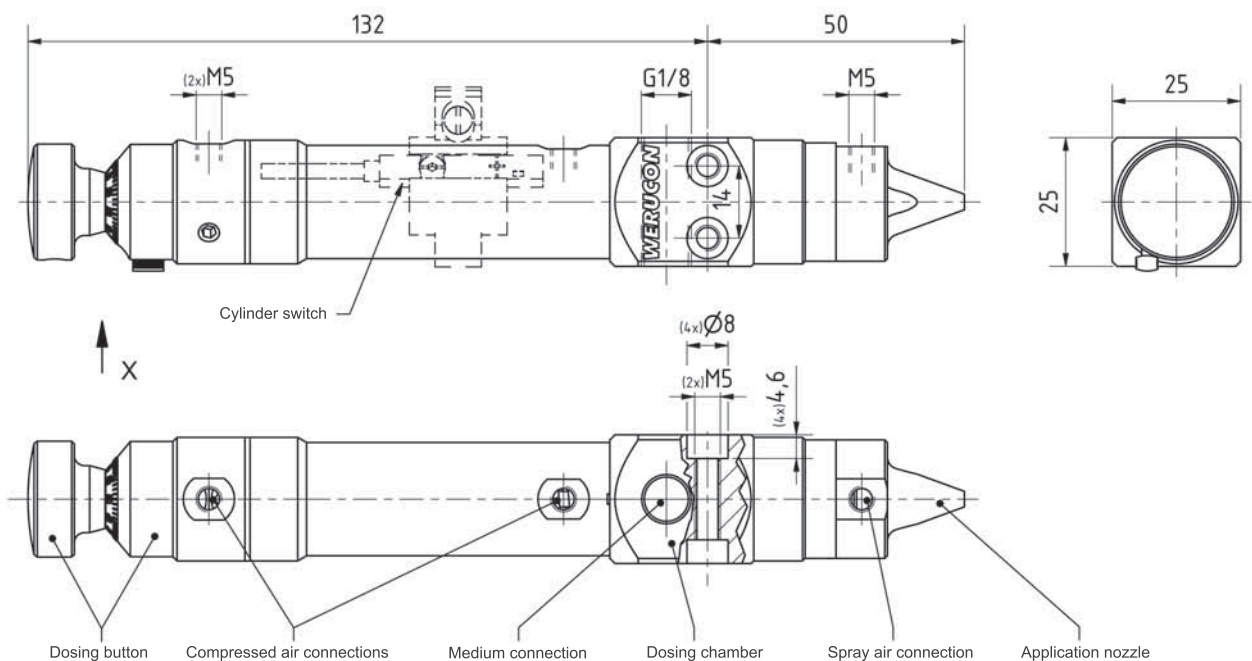
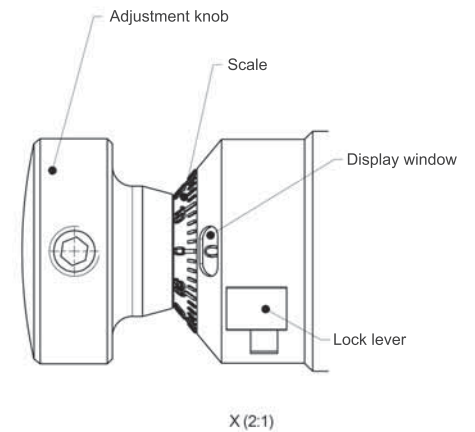
The medium is conveyed into the dosing chamber at a conveying pressure of 1 to 6 bar. The pneumatic drive of the piston ensures that the medium emerges in pulses on each stroke of the valve. A special check seat valve then closes the dosing chamber and prevents the medium from escaping in an uncontrolled manner. The dosing stroke can be monitored using sensor queries.

The dosing valve can optionally be operated with a single or dual action. The outlet speed, a decisive factor in contact-free application, is adjusted by the compressed air regulator.



Technical data

- Compressed air supply:
P= 4 to 6 bar, $Q_N > 30$ l/min, unoilied and filtered
- Medium intake pressure:
P= 1 to 6 bar
- Dosing volume:
0 - 50 mm³/stroke
- Max. dosing frequency:
200 strokes/min (depending on the viscosity and configured dosing volume)
- Adjusting the dosing volume:
1 turn of the knob corresponds to a change in volume of 3.5 mm³



As a leading provider of modern dosing technology, WERUCON® offers its customers an extensive portfolio of products in the areas of belt oiling, grease dosing, and Minimal Quantity Lubrication (MQL). Especially wherever flexibility and nearly environmentally independent, always reproducible oiling is a must, WERUCON® systems are in use.

WERUCON® dosing technology is in use around the world for process-reliable precision dosing in industrial settings. As a technology supplier, WERUCON® stands for flexibility, process reliability, and innovation.

WERUCON GmbH
Nantes-Straße 3
28309 Bremen

Tel: +49 (0)421 / 22 30 85 - 0
Fax: +49 (0)421 / 22 30 85 - 99

E-Mail: info@werucon.de
www.werucon.de