



## Micro-Dosing Pump DOP4

The volumetric-conveying Micro-Dosing Pump (DOP4) is expertly calibrated for precision conveyance of different viscosities. Designed for Minimal Quantity Lubrication (MQL) dosing applications, which deliver accurate output every time. Moreover, it stands for process reliability and precise reproducibility of dosing processing.



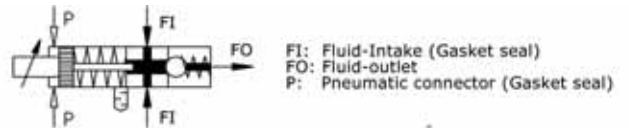
- High Precision Dosing
- Volumetric Dosing Principle
- Accurate Reproducibility
- Broad Viscosity Range
- Wide Flow Rate
- High Pumping Pressure
- Medium Supply Feed via gravitational force
- Compact Design
- Optional Pulse Compensator
- Easy Installation
- High life cycle (i.e., Low wear and tear)

### Range of Applications

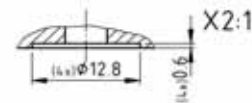
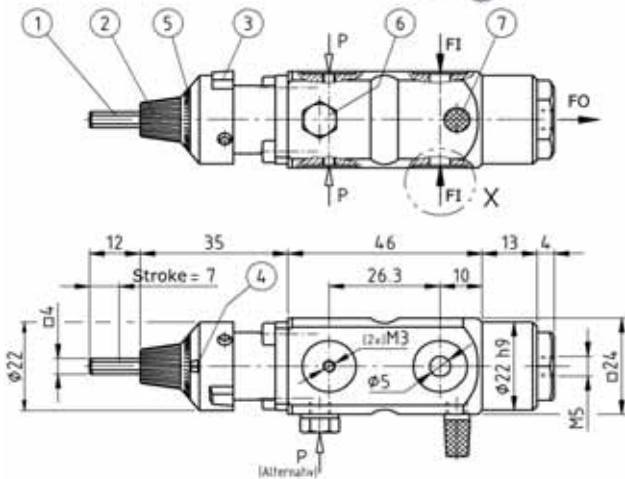
Due to the geometry and high performance, the Micro-Dosing Pump (DOP4) is extremely flexible in terms of its capability and capacity to utilize different lubricants as well as its wide application processing range. The delivery volume is clearly and precisely set which results in process reliability even at fluctuating outdoor temperatures. Via a connection kit the compact DOP4 is easily mountable. Furthermore, installation of several pumps onto each other is possible. With these quality characteristics, the applications of the DOP4 range from highly precise dosages to exact filling viscous median.

**We have the Technology for your Lubricant**

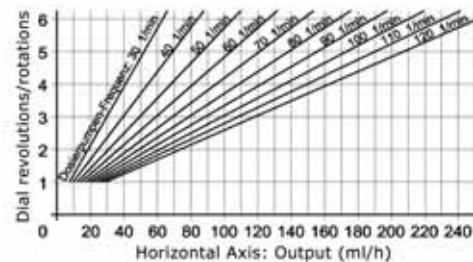
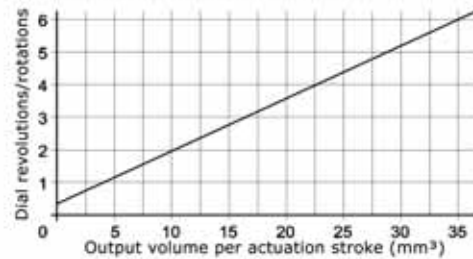
# Micro-Dosing Pump DOP4



- ① Manual actuation push piston
- ② Adjustable dial for volume output
- ③ Locking lever (to set the rotary control head)
- ④ Scale display indicator: 1 to 6 revolutions
- ⑤ Scale: 0.02 gradations per unit
- ⑥ Blank plugs/alternative pneumatic connection ports (M5)
- ⑦ Muffler-Silencer

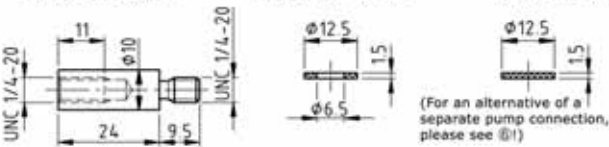


Theoretical Conveyor/Delivery Data:



Appurtenance components for vertical-interlinkage (included in packaging):

- ⑧ 2 Stud bolts Article Nr.10156
- ⑨ 2 Flat Gaskets Article Nr. 10155
- ⑩ 1 Airtight round blank Article Nr. 10154



## Technical Data:

Max. Delivery volume	35 mm <sup>3</sup> /Stroke (See Diagram)	Compressed Air Supply	P = 4 - 6 bar
Max. Output	250 ml/h		Q <sub>N</sub> = 50 - 150 l/min
Max. Pump pressure gauge 1)	67 bar (at 4 bar air pressure) 100 bar (at 6 bar air pressure)	Materials in contact with fluid <sup>3)</sup>	Filtered & uncoiled, 10µm
Max. Fluid feed pressure	4,5 bar		CuZn38Pb2 -Brass, nickel plated
Max. Pump frequency	120 1/min <sup>2)</sup>	Misc. Materials: (Weight Incl.)	FKM (Viton)
Viscosity range	1 - 10.000 mPas		1.4310 (Stainless steel)
Operating temperature	-20 bis 65 °C		NBR
Weight (incl. appurtenances)	302 g		POM
			Galvanized steel

1) This device ensures that the fluid-outlet counter-pressure is present, during operation of the dosing pump. Therefore, the following hose dimensions are recommended: Fluid hose inner diameter: 1 - 1,5; Fluid hose length: > 500mm

2) For some applications, a higher dosing pump frequency is possible, e.g. > 200 1/min. Consultation is essential !

3) Material variations are possible after consultation and upon request

WERUCON® dosing technology stands for reliable and precise lubricant dosing application for metal-forming and metal-cutting processing. First and foremost, in companies where MQL is in demand, our micro-dosing pumps are in use. As an innovative, technological supplier of MQL, we work in partnership with manufacturers of lubricants who continue to set high standards; and are pioneers in the field of lubricant surface coating. As a result of our continuous product and portfolio development, we have become one of today's leaders in advanced dosing technology.

WERUCON GmbH  
Fahrenheitstraße 9  
28359 Bremen

Tel: +49 (0)421 / 22 30 85 - 0  
Fax: +49 (0)421 / 22 30 85 - 99

E-Mail: info@werucon.de  
Website: www.werucon.de