

M (1:1)

**Locking cap**  
turned upside down:  
adjustment mechanism untightened.

turned downwards:  
adjustment mechanism blocked  
(operation modus).

**Dosing knob**  
- with display window (revs.), scale (index 0,02) and blocking lever  
- 1 rev. corresponds to 19,5 mm<sup>3</sup> modification of dosing volume  
- continuous adjustment up to 13 revs. (13 X 19,5 = 253,3 mm<sup>3</sup>)  
- material: POM/ Al/ steel, zinc coated

**Pneumatic actuator**  
- cylinder 25 X 18  
- piston with solenoid for position control  
- material: CuZn38Pb2 (Ms, nickel plated)/ NBR/ 1.4310 (stainless steel)

**Location hole**  
- for inserting centring sleeves  
- accurate position/reproducible orientation of the volume dosing valve

**Dosing chamber**  
- material: CuZn38Pb2 (Ms, nickel plated)/ FKM (viton)/ 1.4310 (stainless steel)

**Nozzle flange**  
- adaption interface for further nozzle alternatives  
- material: 1.4305 (stainless steel)/ FKM (viton)

**Application nozzle**  
- exchangeable (different kinds and sizes of nozzles)  
- this one: coaxial spray head: center (medium) 2,0 mm,  
application air - annular gap = 0,25 mm  
- material: 1,4305 (stainless steel)/ FKM (viton)

**Application air connection**  
- application air intensity: according to individual application needs

**Fluid connection**  
- fluid input pressure: P=1 to 6 bar

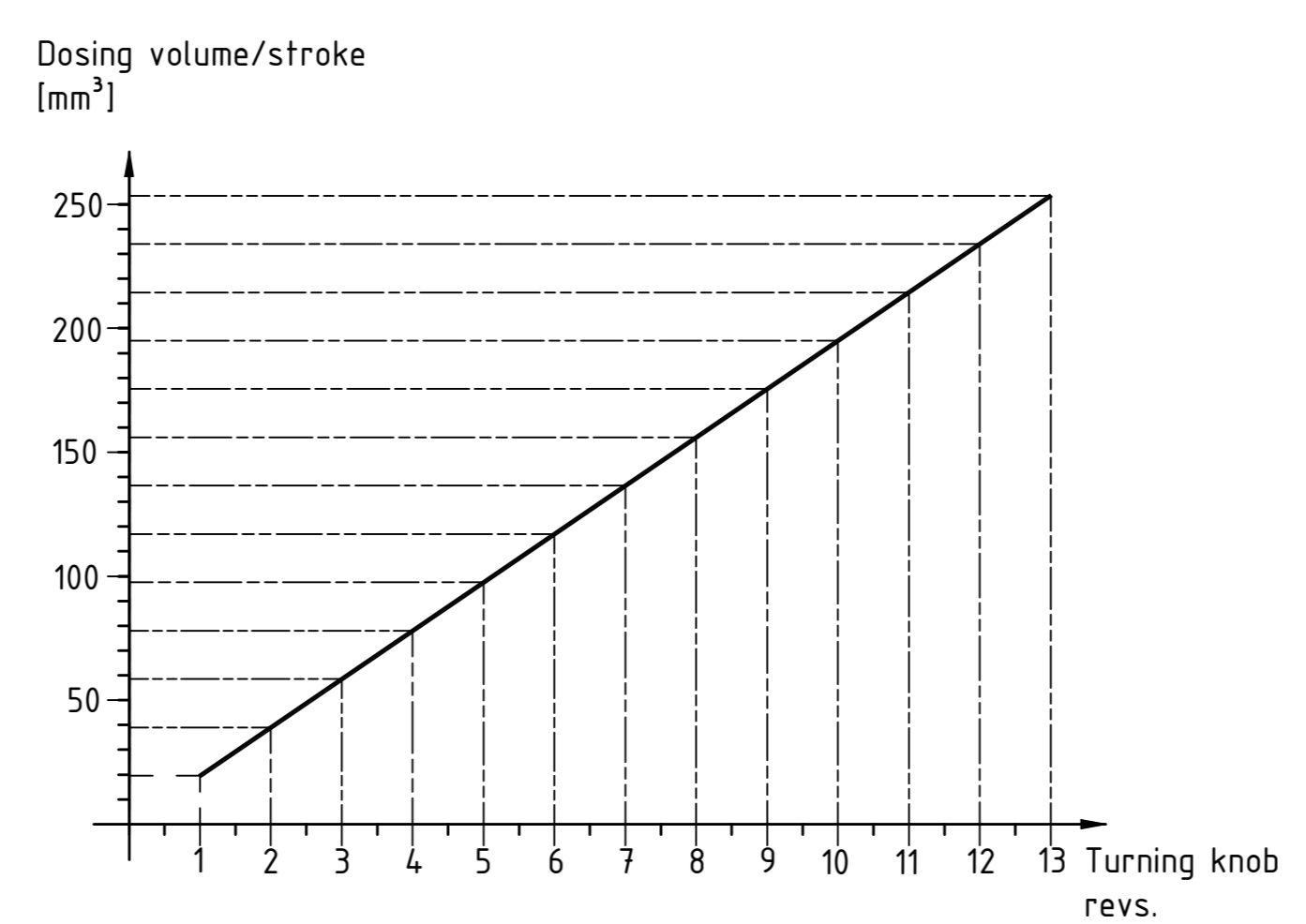
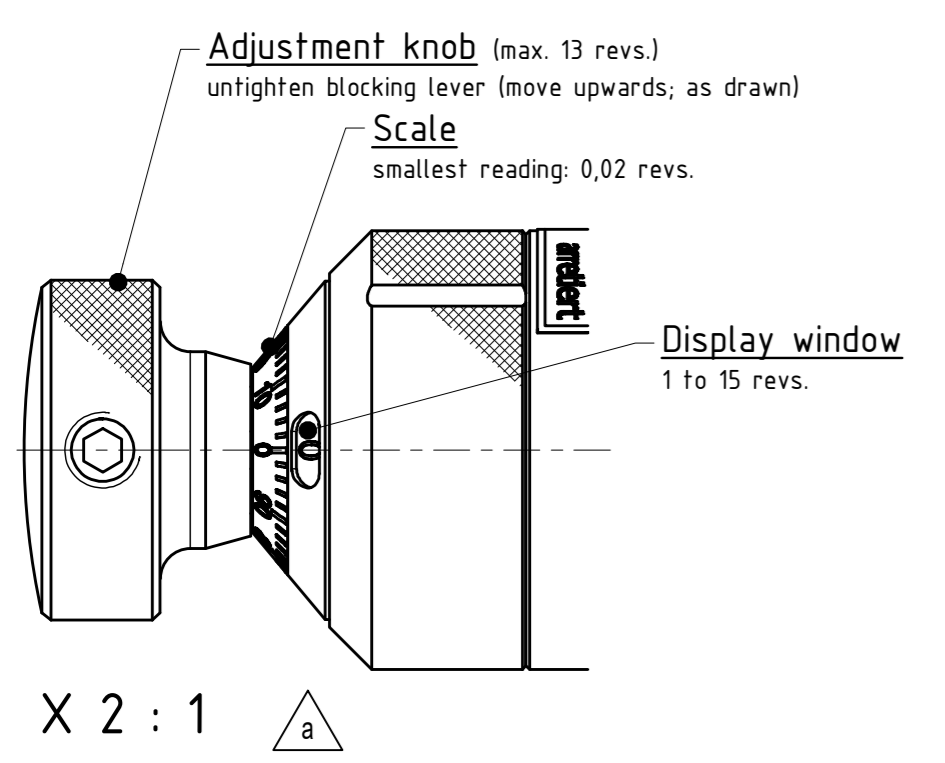
**Compressed air connection**  
- operation of dosing valve can be selected as single-acting or double-acting:  
single-acting operation: 3/2 way valve with connection "A". muffler at "B"  
double-acting operation: 5/2 way valve with connection "A" and "B". exhaust air throttle at "B"

**Features:**

- application: volumetric dosing of liquid and paste-like media such as e.g. lubricants
- continuous and linear adjustment of dosing volume ranging from 30 to 250 mm<sup>3</sup>/hub
- pinpoint "shot" of the dosing medium (contact-free application) up to several meters (adjustable)
- coaxial dosing head with application air connection (delay spray: cleaning of the spray head)
- accurate reproducibility of the dosing process
- position survey of the dosing hub by means of cylinder switch (solenoid piston)

**Technical data:**

- compressed air supply: P= 4 to 6 bar, QN > 30 l/min, oil-free and filtered
- input pressure of medium: P= 1 to 6 bar
- max. dosing volume: 250 mm<sup>3</sup>/ hub
- max. dosing frequency: 180 hubs/min (depending on viscosity and on adjusted dosing volume)
- adjustment of dosing volume: 1 rev. of the dosing knob corresponds to 19,5 mm<sup>3</sup> modification of the volume (13 revs. X 19,5 mm<sup>3</sup> = 153,5 mm<sup>3</sup>)



Nr.-No.	Änderung - Alteration	Datum - Date	Name
a	Drehknopfartefizierung geändert, Gesamtlänge war 218mm; Steckverschraubung neu hinzu	06.03.2018	Kort

Toleranzangaben / Tolerance Data		Kanten / edge ISO 13715		Format / size	Blatt / sheet	Maßstab / scale
DIN ISO 2768-1m DIN ISO 2768-2H DIN ISO 1302		-0,2 +0,2		A2	1/1	1,5:1
Bohrungen und Gewinde / drills and threads ± 0,1		Passbohrungen / precision drillings ± 0,01				
Modell / part: 12.03.2012 Kort		gez. / drawn: 12.03.2012 Kort		kontr. / checked:		
Intern		Bezeichnung / designation -technical description-				
WERUCON GmbH / Bremen - Germany		ZB Volumen-Dosierventil vst				
Nantes-SträÙe 3, 28309 Bremen		max. dosing volume: 250mm <sup>3</sup> /stroke valve sealing: st.				
Telefon: +49 421 223085-0 / Fax: +49 421 223085-99		ball volume adjustment: manually				
E-Mail: info@werucon.de		Zeichnungsnummer / drawing number				
Internet: www.werucon.de		D-VDO1-08-000				
letzte Sicherung / last save: 03-06-2019 / 10:54:03		Artikel / article				
		7100				
C:\Vault-Arbeitsordner\Dosiertechnik\DT-Serienprodukte\Technische Dokumente\Dosierpumpen_und-ventile\VDO1D-VDO1-08(ZB Volumen-Dosierventil vst)\T-Beschreibung_Engl.lbw						